

Network Video Recorder

DEN401E Series



Key Features

4/8/16-channel input

Third-party IP cameras supported with ONVIF conformance

Support 1-ch HDMI, 1-ch VGA, HDMI at up to 4K(3840x2160) resolution

Up to 8 Megapixels resolution recording

Support H.265/H.264 video formats

Accurate retrieval, instant playback

1 SATA HDD up to 6 TB

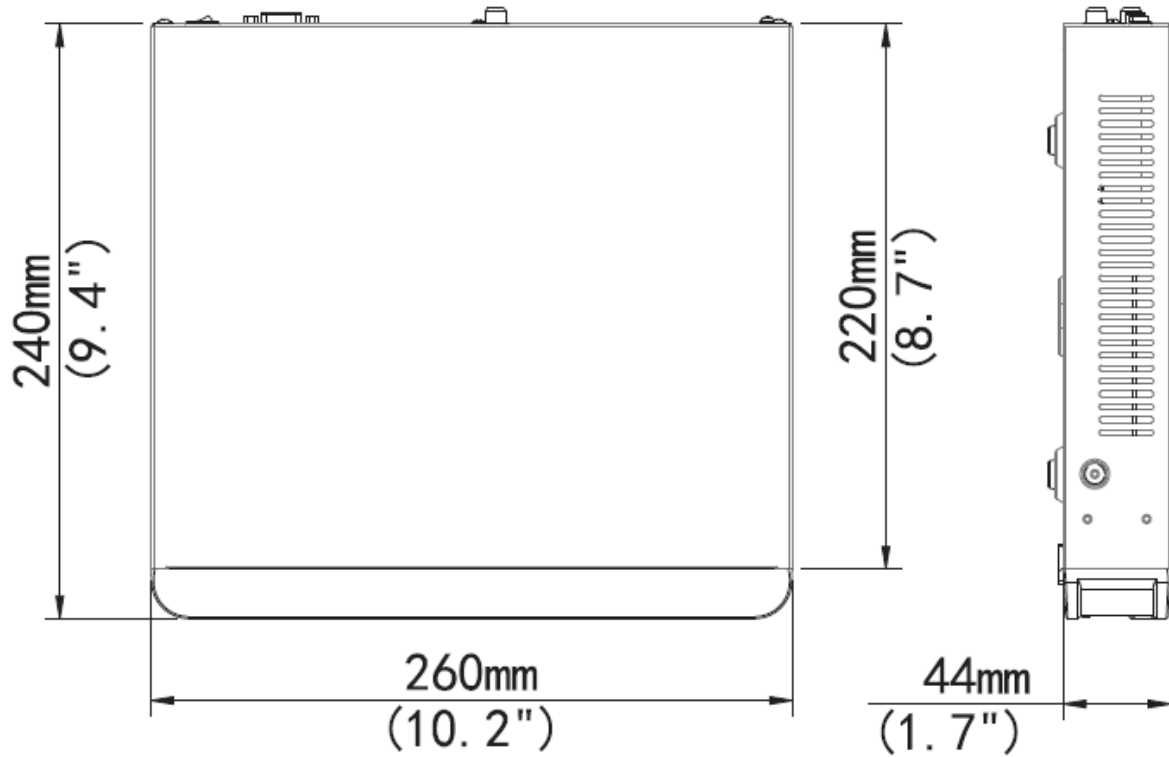
Support for P2P, UPnP, NTP, DHCP, PPPoE

Support for mobile client access

Specifications

Model	DEN401-04E	DEN401-08E	DEN401-16E
Video/Audio Input			
IP Video Input	4-ch	8-ch	16-ch
Two-way Audio Input	1-ch, RCA		
Network			
Incoming Bandwidth	40Mbps	60Mbps	80Mbps
Outgoing Bandwidth	64Mbps	64Mbps	80Mbps
Remote Users	128		
Video/Audio Output			
HDMI/VGA Output	HDMI: 4K(3840x2160)/30Hz, 1920x1080p/60Hz, 1920x1080p/50Hz, 1600x1200/60Hz, 1280x1024/60Hz, 1280x720/60Hz, 1024x768/60Hz VGA: 1920x1080p/60Hz, 1920x1080p/50Hz, 1600x1200/60Hz, 1280x1024/60Hz, 1280x720/60Hz, 1024x768/60Hz		
Recording Resolution	8MP/6MP/5MP/4MP/3MP/1080p/960p/720p/D1/2CIF/CIF		
Audio Output	1-ch, RCA		
Synchronous Playback	4-ch	8-ch	16-ch
Decoding			
Compression	H.265/H.264		
Live view/Playback	8MP/6MP/5MP/4MP/3MP/1080p/960p/720p/D1/2CIF/CIF		
Capability	1 x 4K@30, 3 x 4MP@20, 4 x 1080p@25, 8 x 720p@25, 16 x D1		
Hard Disk			
SATA	1 SATA interface		
Capacity	up to 6TB for each disk		
External Interface			
Network Interface	1 RJ-45 10M/100M Self-adaptive Ethernet Interface		
USB Interface	Rear panel: 2 x USB2.0, Front panel: 1 x USB2.0		
Alarm In	4-ch		
Alarm Out	1-ch		
General			
Power Supply	12V DC		
Consumption (without HDD)	≤ 8 W		
Working Temperature	-10°C ~ + 55°C (+14°F ~ +131°F)		
Working Humidity	10% ~ 90%		
Dimensions	44 × 260 × 240mm (1.7" × 10.2" × 9.4")		
Weight (without HDD)	≤ 1.12 Kg (2.47 lb)		

Dimensions



Rear Panel

