

# Network Video Recorder

## DEN404EP Series



### Key Features

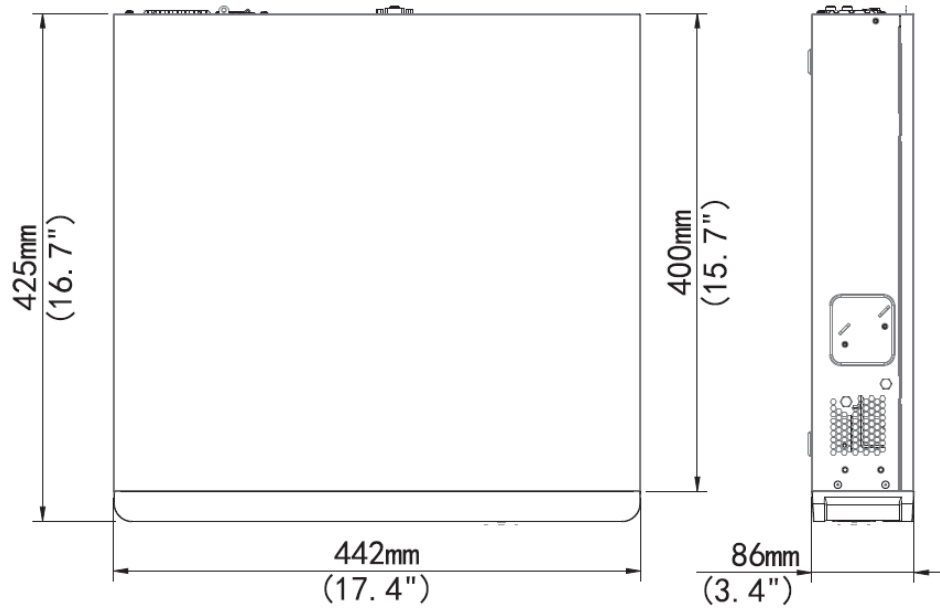
- 16/32-channel input
- Third-party IP cameras supported with ONVIF conformance
- Support 2-ch HDMI, 1-ch VGA, HDMI2 at up to 4K(3840x2160) resolution
- Up to 12 Megapixels resolution recording
- Support H.265/H.264 video formats
- Accurate retrieval, instant playback
- 4 SATA HDDs, Up to 8TB for each HDD
- Support various VCA detection alarm and VCA search
- Support for 12V Power output
- Plug & Play with up to 16 independent PoE network interfaces
- Support for P2P, UPnP, NTP, DHCP, PPPoE
- Support for mobile client access

## Specifications

Model	DEN404-16EP	DEN404-32EP
<b>Video/Audio Input</b>		
IP Video Input	16-ch	32-ch
Two-way Audio Input	1-ch, RCA	
<b>Network</b>		
Incoming Bandwidth	160Mbps	320Mbps
Outgoing Bandwidth	320Mbps	
Remote Users	128	
<b>Video/Audio Output</b>		
HDMI/VGA output	HDMI1/VGA: 1920x1080p /60Hz, 1920x1080p /50Hz, 1600x1200 /60Hz, 1280x1024 /60Hz, 1280x720 /60Hz, 1024x768 /60Hz HDMI2: 4K (3840x2160) /60Hz, 4K (3840x2160) /30Hz, 1920x1080p /60Hz, 1920x1080p /50Hz, 1600x1200 /60Hz, 1280x1024 /60Hz, 1280x720 /60Hz, 1024x768 /60Hz	
Recording Resolution	12MP/8MP/6MP/5MP/4MP/3MP/1080p/960p/720p/D1/2CIF/CIF	
Audio Output	1-ch, RCA	
Synchronous Playback	16-ch	
<b>Decoding</b>		
Compression	H.265/H.264	
Live view/Playback	12MP/8MP/6MP/5MP/4MP/3MP/1080p/960p/720p/D1/2CIF/CIF	
Capability	4 x 12MP@20, 4 x 4K@30, 8 x 4MP@20, 16 x 1080p@25, 32 x 720p@25	
<b>Hard Disk</b>		
SATA	4 SATA interfaces	
Capacity	up to 8TB for each HDD	
<b>External Interface</b>		
Network Interface	1 RJ-45 10M/100M/1000M self-adaptive Ethernet Interface	
Serial Interface	1 x RS485	
USB Interface	Front panel: 2 x USB2.0 Rear panel: 1 x USB3.0	
Alarm In	16-ch	
Alarm Out	4-ch	
Power Output	12 VDC	
<b>PoE</b>		
Interface	16 independent 100 Mbps PoE network interfaces	
Max Power	Max 30W for single port Max 200W in total ( 12.5W for each )	
Supported Standard	IEEE 802.3at	
<b>General</b>		
Power Supply	100 ~ 240 VAC	
Consumption ( without HDD )	≤ 20 W	
Working Temperature	-10°C ~ + 55°C ( +14°F ~ +131°F )	

Working Humidity	10% ~ 90%
Dimensions	86 × 442 × 425mm (3.4" × 17.4" × 16.7" )
Weight ( without HDD )	≤ 5.24 Kg ( 11.55 lb )

## Dimensions



## Rear Panel

