

2MP WDR Starlight AF Network IR Bullet Camera

DEC362ER9 Series



Key Features

Optics

- Starlight illumination
- 4X Optical Zoom & Auto Focus (-DUZ Model)
- 10X Optical Zoom & Auto Focus (-X10DU Model)
- Up to 120 dB WDR(Wide Dynamic Range)
- Smart IR, up to up to 100m (328 ft) IR distance
- Optical glass window with higher light transmittance
- IR anti-reflection window to increase the infrared transmittance
- Day/night functionality

Compression

- H.265
- Triple streams
- ROI (Region of Interest)
- 9:16 corridor mode
- Customized OSD

Network

- ONVIF Conformance

Structure

- Support PoE power supply

- Wide temperature range: -40°C to 60°C (-40°F to 140°F)
- Wide voltage range of ±25%
- IP67

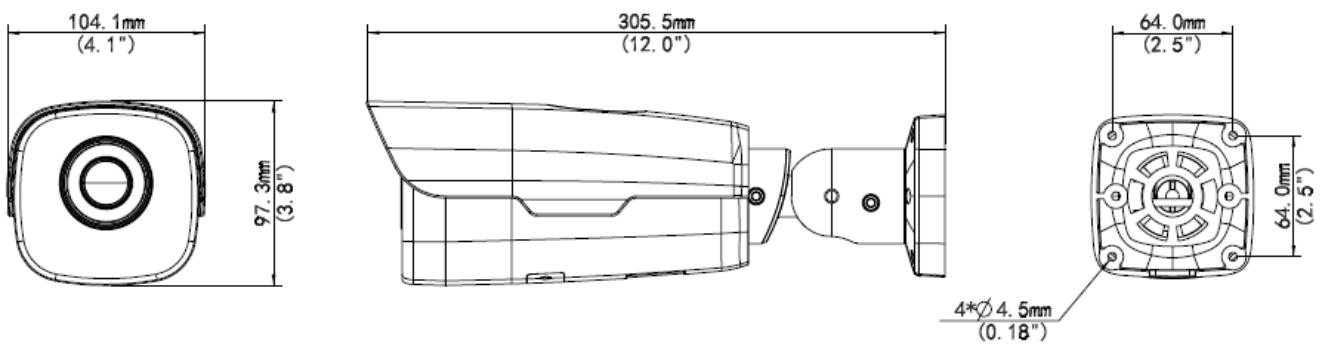
Specifications

	DEC362ER9-DUZ	DEC362ER9-X10DU
Camera		
Sensor	1/2.8", 2 megapixel, progressive scan CMOS	
Shutter	Auto/Manual, 1/6~1/8000s	
Lens	2.8~12mm@F1.6; DC-Iris	4.7 ~ 47mm@F1.6; DC-Iris
Angle of View (H)	97°(wide)~ 35°(tele)	65°(wide) ~ 9°(tele)
Zoom/Focus	4X Optical Zoom / Auto Focus	10X Optical Zoom / Auto Focus
Min. Illumination	Colour: 0.002 Lux (F1.6, AGC ON) 0 Lux with IR	
Day/Night	IR-cut filter with auto switch (ICR)	
S/N	>52dB	
WDR	120dB	
IR	Smart-IR ,up to 100m (328ft) IR range	
Video		
Max. Resolution	1920× 1080	
Video Compression	H.265, H.264, MJPEG	
Frame Rate	1080P (1920*1080): Max. 30 fps	
9:16 Corridor Mode	Supported	
ROI	Supported	
Video Streaming	Triple	
OSD	Up to 8 OSDs	
Privacy Mask	Up to 4 areas	
Audio		
Audio Compression	G.711	
Two-way audio	Supported	
Storage		
Edge Storage	Micro SD, Up to 128 GB	
Network		
Protocols	L2TP, IPv4, IGMP, ICMP, ARP, TCP, UDP, DHCP, PPPoE, RTP, RTSP, DNS, DDNS, NTP, FTP, UPnP, HTTP, HTTPS, SMTP, SNMP, SIP, QoS	
Compatible Integration	ONVIF, API	
Interface		
Audio I/O	Audio cable	
	1 Input: impedance 35 kΩ; amplitude 2 V [p-p]	
	1 Output: impedance 600 Ω; amplitude 2 V [p-p]	
Alarm I/O	2 / 1	
Network	10M/100M Base-TX Ethernet	
Video Output	1 BNC, impedance 75 Ω; amplitude 1 V [p-p]	
Serial	1 RS485	

General

Power	DC12V ± 25%, AC24V ± 25% or PoE (IEEE802.3 at)
	Power consumption: 13.7W
Material	Cast aluminum
Dimensions (L × W × H)	305.5 × 104.1 × 97.3mm (12.0" × 4.1" × 3.8")
Weight	1.65 kg (3.6 lb)
Working Environment	-40°C ~ +60°C (-40°F ~ 140°F), Humidity ≤ 95% RH(non-condensing)
Ingress Protection	IP67

Dimensions



Accessories

Installation mode	Accessories	Description
Wall mount	\	Mounting pedestal is included in the Product package
Ceiling mount	\	Mounting pedestal is included in the Product package
Rail mount	TR-UP06-A-IN	For outdoor rail installation
Pole mount	TR-UP06-A-IN	For outdoor pole installation