

2MP 22x Starlight WDR Network IR Bullet Camera

DEC352ERA-X22DUG



Key Features

Optics

- Starlight illumination
- Accurate and fast focusing
- Smart IR, up to 200 m (656 ft) IR distance
- Up to 120 dB WDR(Wide Dynamic)
- Auto day/night functionality
- Optical glass window with higher light transmittance
- IR anti-reflection window to increase the infrared transmittance

Compression

- H.265, H.264, MJPEG
- Embedded smart algorithm
- Triple Streams
- ROI (Region of Interest)
- 9:16 corridor format
- Customized OSD

Network

- ONVIF Conformance

Structure

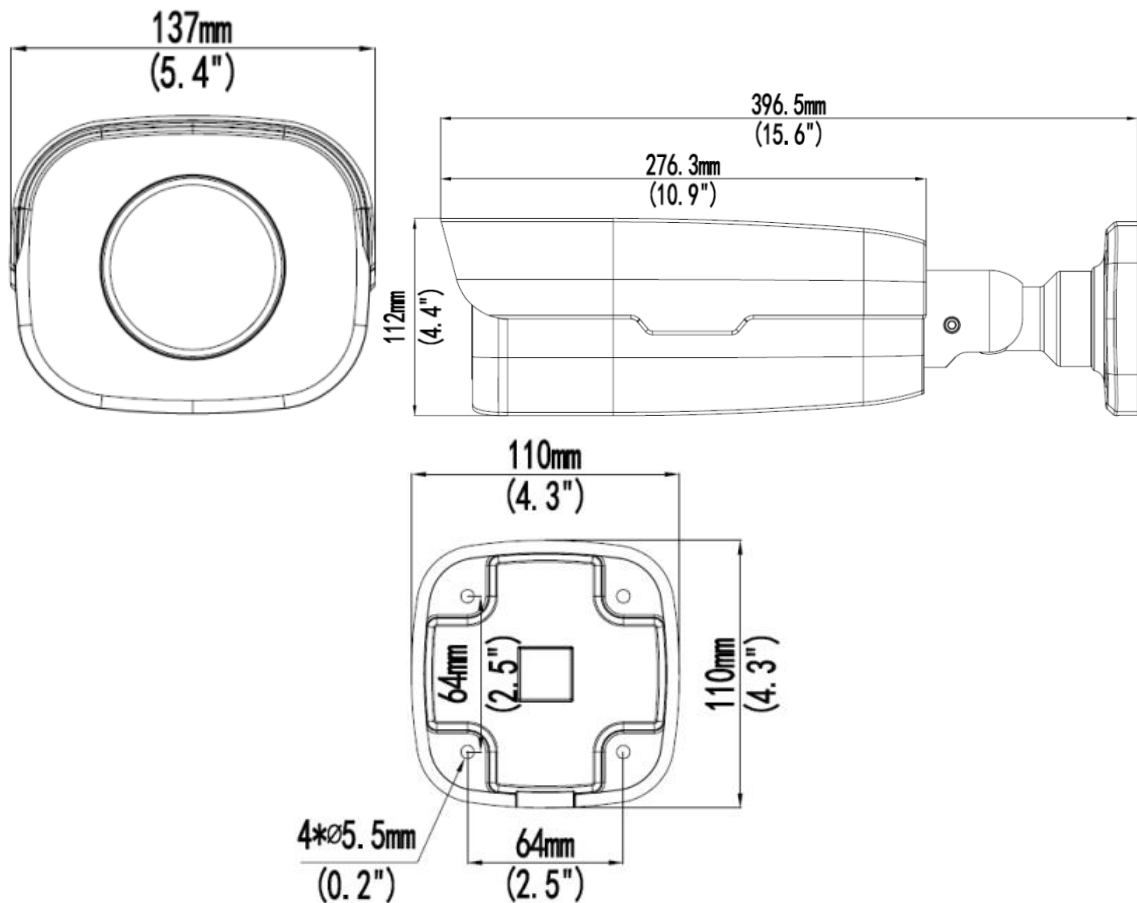
- Wide temperature range: -40°C to 60°C (-40°F to 140°F)
- Wide voltage range of ±25%
- IP67

Specifications

| | |
|----------------------------|--|
| Camera | DEC352ERA-X22DUG |
| Sensor | 1/1.9", 2 megapixel, progressive scan CMOS |
| Lens | 6.5 ~ 143 mm (22x optical zoom) |
| Angle of view(H) | 59°(wide) ~ 3°(tele) |
| Shutter | Auto/Manual, 1/6~1/8000 s |
| Iris | Auto/Manual, F1.5~F3.4, DC-Iris |
| Minimum Illumination | Colour: 0.002 Lux (F1.5, AGC ON) 0 Lux with IR |
| S/N | >52 dB |
| WDR | 120 dB |
| Day/Night | IR-cut filter with auto switch (ICR) |
| Video | |
| Max. Resolution | 1920 x 1080 |
| Video Compression | H.265, H.264, MJPEG |
| Frame Rate | 1080P (1920 x 1080): Max .60 fps |
| 9:16 Corridor Mode | Supported |
| ROI | Supported |
| Video Streaming | Triple |
| OSD | Up to 8 OSDs |
| Privacy Mask | Up to 4 areas |
| Smart | |
| Behavior Detection | Intrusion, crossing line, motion detection |
| Exception Detection | Audio detection |
| Intelligent Identification | Face detection |
| Statistical Analysis | People counting |
| Audio | |
| Audio Compression | G.711 |
| Two-way audio | Supported |
| Storage | |
| Edge Storage | Micro SD, up to 128 GB |
| Network | |
| Protocols | L2TP, IPv4, IGMP, ICMP, ARP, TCP, UDP, DHCP, PPPoE, RTP, RTSP, RTCP, DNS, DDNS, NTP, FTP, UPnP, HTTP, HTTPS, SMTP, SIP, 802.1x |

| | |
|------------------------|---|
| Compatible Integration | ONVIF, API |
| Interface | |
| Audio I/O | Audio cable |
| | 1 Input: impedance 35 k Ω ; amplitude 2 V [p-p] |
| | 1 Output: impedance 600 Ω ; amplitude 2 V [p-p] |
| Alarm I/O | 2 / 1 |
| Serial Port | 1 RS485 (support Pelco-D/P) |
| Network | 100M Base-FX SFP + 100M Base-TX Ethernet |
| Video Output | 1 BNC, impedance 75 Ω ; amplitude 1 V [p-p] |
| General | |
| Power | 24 V AC \pm 25% |
| | Power consumption: 6~19.5W |
| Material | Cast aluminum |
| Dimensions (L x W x H) | 396.5 x 137 x 112mm (15.6" x 5.4" x 4.4") |
| Weight | 3.7 kg (8.2 lb) |
| Working Environment | -40°C ~ +60°C (-40°F ~ 140°F), Humidity \leq 95% RH(non-condensing) |
| Ingress Protection | IP67 |

Dimensions



Accessories

| Installation mode | Accessories | Description |
|-------------------|--------------|--|
| Wall mount | \ | Mounting pedestal is included in the Product package |
| Ceiling mount | \ | Mounting pedestal is included in the Product package |
| Rail mount | TR-UP06-A-IN | For outdoor rail installation |
| Pole mount | TR-UP06-A-IN | For outdoor pole installation |