

1.3MP Network IR Mini Bullet Camera

DEC3121SR3 Series



Key Features

Optics

- Day/night functionality
- SmartIR ,up to 30 m (98 ft) IR distance
- Optical glass window with higher light transmittance
- IR anti-reflection window to increase the infrared transmittance
- 3D DNR (Digital Noise Reduction)

Compression

- H.264/MJPEG
- Triple streams

Network

- ONVIF Conformance

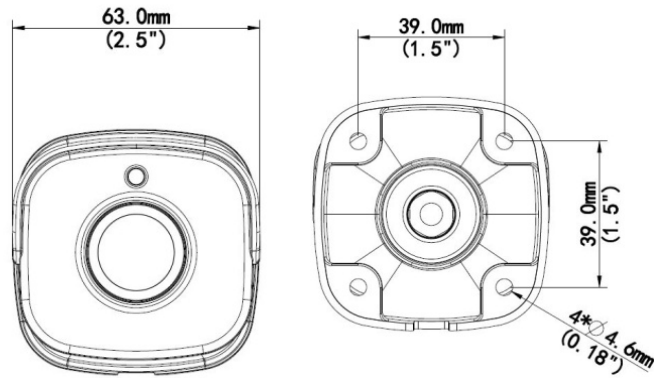
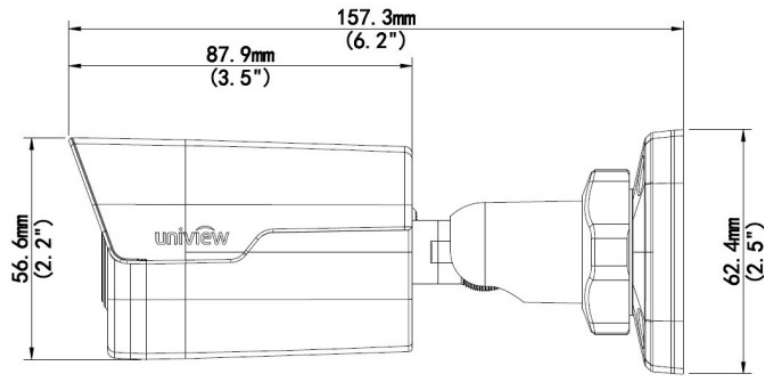
Structure

- Wide temperature range: -35°C to 60°C (-31°F to 140°F)
- Wide voltage range of $\pm 25\%$
- IP66
- IK10

Specifications

	DEC3121SR3-PF36	DEC3121SR3-PF60	DEC3121SR3-PF120
Camera			
Sensor	1/3", 1.3megapixel, progressive scan, CMOS		
Lens	3.6mm@F1.8 Angle of view(H): 72.9°	6.0mm@F1.8 Angle of view(H): 46.7°	12.0mm@F1.8 Angle of view(H): 23.5°
Shutter	Auto/Manual, 1/6~1/8000 s		
Min. Illumination	Colour: 0.06 Lux (F1.8, AGC ON) 0 Lux with IR on		
Day/Night	IR-cut filter with auto switch (ICR)		
IR Range	Up to 30m (98 ft) IR range		
S/N	>50dB		
WDR	Digital		
Noise Reduction	2D/3D		
Video			
Max. Resolution	1280×960		
Video Compression	H.264/MJPEG		
Frame Rate	960P (1280*960): Max. 25 fps;720P (1280*720): Max. 30 fps; D1 (720*576): Max. 25 fps		
Video Streaming	Triple		
ROI	Supported		
OSD	Up to 8 OSDs		
Motion Detection	Up to 2 areas		
Privacy Mask	Up to 4 areas		
Network			
Protocols	L2TP, IPv4, IGMP, ICMP, ARP, TCP, UDP, DHCP, PPPoE, RTP, RTSP, DNS, DDNS, NTP, FTP, UPnP, HTTP, HTTPS, SMTP		
Compatible Integration	ONVIF, API		
Interface			
Network	1 RJ45 10M/100M Base-TX Ethernet		
General			
Power	12 V DC, or PoE (IEEE802.3 af)		
	Power consumption: Max 6.4W		
Dimensions (L × W × H)	157.3 × 62.4 × 63 mm (6.2" × 2.5" × 2.5")		
Weight	0.45 kg (0.99 lb)		
Working Environment	-35°C ~ +60°C (-31°F ~ 140°F), Humidity ≤ 95% RH(non-condensing)		
Vandal Resistant	IK10		
Ingress Protection	IP66		

Dimensions



Accessories

Installation mode	Accessories	Description
Wall mount	Mounting pedestal is included in the Product package	\
Ceiling mount	Mounting pedestal is included in the Product package	\