

2MP WDR (Motorized) VF Vandal-resistant Network IR Fixed Dome Camera

DEC4232ER3-DVZ28



Key Features

Optics

- Day/night functionality
- Smart IR, up to 30m (98 ft) IR distance
- Up to 120 dB Optical WDR(Wide Dynamic Range)
- Lowlight surveillance
- 3D DNR (Digital Noise Reduction)
- Built-in motorized lens for remote zoom

Compression

- H.265, H.264, MJPEG
- Embedded smart algorithm
- Triple streams
- ROI (Region of Interest)
- 9:16 corridor mode

Network

- ONVIF Conformance

Structure

- Support PoE power supply

- Built-in PoE splitter that outputs DC 12V
- Wide temperature range: -40°C to 60°C (-40°F to 140°F)
- Wide voltage range of ±25%
- IK10 vandal resistant
- IP66

Specifications

DEC4232ER3-DVZ28	
Camera	
Sensor	1/3", 2.0 megapixel, progressive scan CMOS
Shutter	Auto/Manual, 1/6~1/8000 s
Lens	2.8~12 mm@F1.6; Angle of View (H): 90° (wide) ~28° (tele)
Zoom/Focus	Motor drive
Min. Illumination	Colour: 0.02 Lux (F1.6, AGC ON) 0 Lux with IR
Day/Night	IR-cut filter with auto switch (ICR)
IR Range	Up to 30m (98 ft) IR range
S/N	>52dB
WDR	Optical WDR (up to 120 dB)
Video	
Max. Resolution	1920 x 1080
Video Compression	H.265,H.264,MJPEG
Capture Collect Mode	1080P (1920 x 1080) @30 fps; 1080P (1920 x 1080) @25fps
9:16 Corridor Mode	Supported
ROI	Supported
Video Streaming	Triple
OSD	Up to 8 OSDs
Privacy Mask	Supported
Smart	
Behavior Detection	Intrusion, crossing line, motion detection
Exception Detection	Audio detection
Intelligent Identification	Face detection
Statistical Analysis	People counting
Audio	
Audio Compression	G.711
Two-way audio	Supported
Storage	
Edge Storage	Micro SD, up to 128 GB
Network	
Protocols	L2TP, IPv4, IGMP, ICMP, ARP, TCP, UDP, DHCP, PPPoE, RTP, RTSP, RTCP, DNS, DDNS, NTP, FTP, UPnP, HTTP, HTTPS, SMTP, SIP, 802.1x
Compatible Integration	ONVIF, API

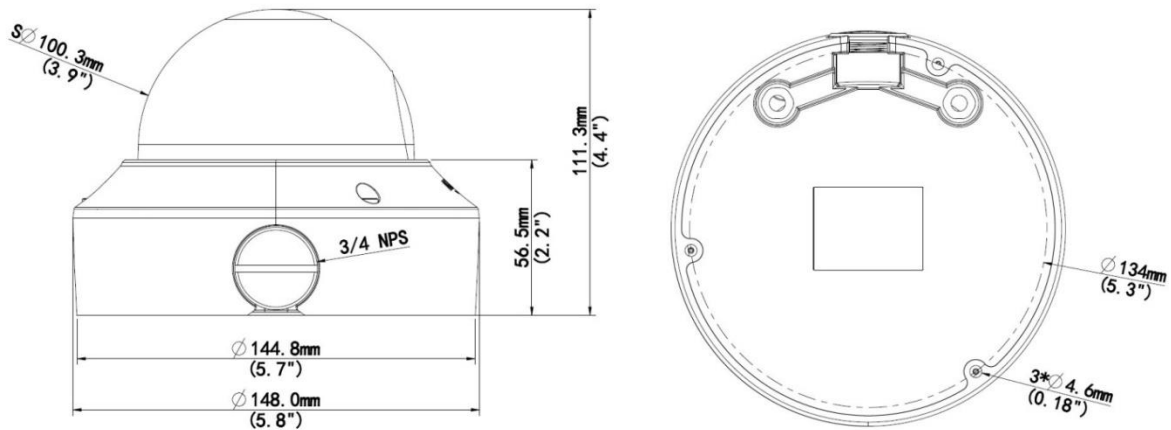
Interface

Audio I/O	Audio cable
	Input: impedance 35 k Ω ; amplitude 2 V [p-p]
	Output: impedance 600 Ω ; amplitude 2 V [p-p]
Alarm I/O	1/ 1
Network	1 RJ45 10M/100M Base-TX Ethernet
Video Output	1 BNC, impedance 75 Ω ; amplitude 1 V [p-p]
Reset	1 Reset Button
Power Output	DC12V Power Output With PoE

General

Power	12 V DC, or PoE (IEEE802.3 af)
	Power consumption: Max.6.6 W (PoE :Max.7.2 W)
Dimensions (\varnothing x H)	\varnothing 148 x 111.3 mm (\varnothing 5.8" x 4.4")
Weight	0.75 kg (1.7 lb)
Working Environment	-40°C ~ +60°C (-40°F ~ 140°F), Humidity \leq 95% RH(non-condensing)
Vandal Resistant	IK10
Ingress Protection	IP66

Dimensions



Accessories

Installation mode	Accessories	Description
Ceiling mount	Mounting pedestal is included in the product package	For indoor ceiling installation