

4K WDR Vandal-resistant Vari-focal Dome Network Camera

DEC4238ER3-DVZ



Key Features

Optics

- Day/night functionality
- Smart IR, up to 30m (98 ft) IR distance
- Up to 120 dB Optical WDR(Wide Dynamic Range)
- 3D DNR (Digital Noise Reduction)

Compression

- H.265, H.264, MJPEG
- Triple streams
- ROI (Region of Interest)
- 9:16 corridor mode
- Customized OSD

Network

- ONVIF Conformance

Structure

- Wide temperature range: -40°C to 60°C (-40°F to 140°F)
- Wide voltage range of $\pm 25\%$
- IK10 vandal resistant

- IP66

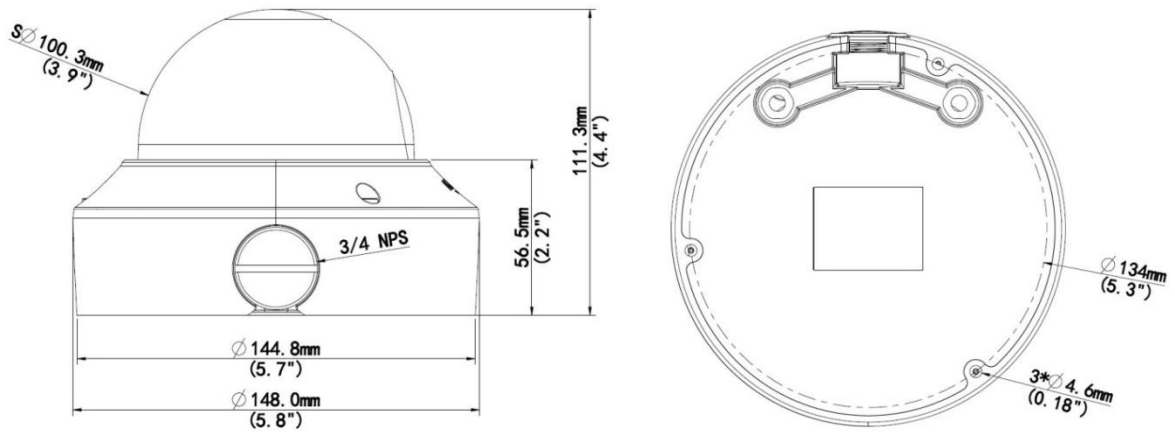
Specifications

Camera	DEC4238ER3-DVZ
Sensor	1/2.5", 8 megapixel, progressive scan CMOS
Lens	2.8~12 mm@F1.6
Angle of View (H)	105.0° (wide) ~30° (tele)
Zoom/Focus	4X Optical Zoom / Auto Focus
Shutter	Auto/Manual, 1/6~1/100000s
Min. Illumination	Colour: 0.02 Lux (F1.6, AGC ON) 0Lux with IR
IR Range	Smart-IR, up to 30m (98 ft) IR range
Day/Night	IR-cut filter with auto switch (ICR)
S/N	>55dB
WDR	True WDR 120dB
Video	
Max. Resolution	3840×2160
Video Compression	H.265,H.264,MJPEG
Frame Rate	4K (3840×2160): Max.30 fps; 1080P (1920×1080): Max. 30 fps
Video Streaming	Triple
9:16 Corridor Mode	Supported
ROI	Supported
OSD	Up to 8 OSDs
Privacy Mask	Up to 8 areas
Audio	
Audio Compression	G.711
Two-way audio	Supported
Storage	
Edge Storage	Micro SD, up to 128 GB
Network	
Protocols	L2TP, IPv4, IGMP, ICMP, ARP, TCP, UDP, DHCP, PPPoE, RTP, RTSP, RTCP, DNS, DDNS, NTP, FTP, UPnP, HTTP, HTTPS, SMTP, 802.1x
Compatible Integration	ONVIF, API
Interface	
Audio I/O	Audio cable
	Input: impedance 35 kΩ; amplitude 2 V [p-p]
	Output: impedance 600 Ω; amplitude 2 V [p-p]
Alarm I/O	1/ 1
Network	1 RJ45, 10M/100M Base-TX Ethernet
Video Output	1 BNC, impedance 75 Ω; amplitude 1 V [p-p]
Reset Button	Supported
Power Output	DC12V Power Output With PoE

General

Power	12 V DC, or PoE (IEEE802.3 af)
	Power consumption: Max.8.7 W
Dimensions (Ø x H)	Ø148 x 111.3 mm (Ø5.8" x 4.4")
Weight	0.75 kg (1.7 lb)
Working Environment	-40°C ~ +60°C (-40°F ~ 140°F), Humidity ≤ 95% RH(non-condensing)
Ingress Protection	IP66
Vandal Resistant	IK10

Dimensions



Accessories

Installation mode	Accessories	Description
Ceiling mount	Mounting pedestal is included in the product package	For indoor ceiling installation