

4MP WDR (Motorized) VF Vandal-resistant Network IR Fixed Dome Camera

IPC3234SR3-DVZ28



Key Features

Optics

- Day/night functionality
- Smart IR, up to 30m (98 ft) IR distance
- Up to 120 dB Optical WDR (Wide Dynamic Range)
- Lowlight surveillance
- 3D DNR (Digital Noise Reduction)
- Built-in motorized lens for remote zoom

Compression

- H.265, H.264, MJPEG
- Embedded smart algorithm
- Triple streams
- ROI (Region of Interest)
- 9:16 corridor mode

Network

- ONVIF Conformance

Structure

- Support PoE power supply

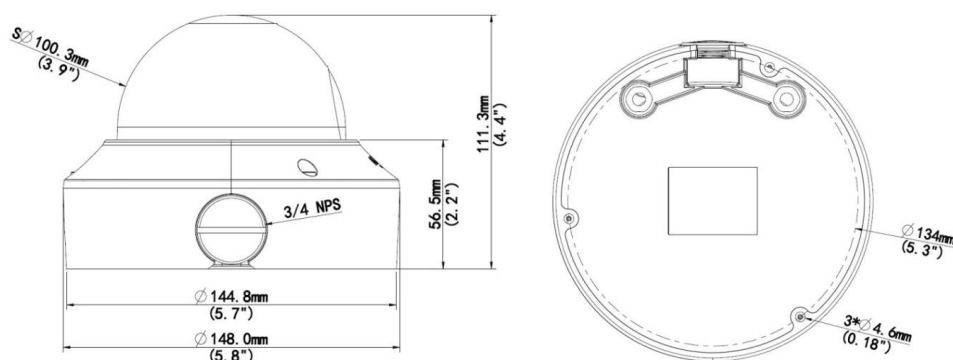
- Built-in PoE splitter that outputs DC 12V
- Wide temperature range: -40°C to 60°C (-40°F to 140°F)
- Wide voltage range of ±25%
- IK10 vandal resistant
- IP66

Specifications

IPC3234SR3-DVZ28	
Camera	
Sensor	1/3", 4.0 megapixel, progressive scan CMOS
Lens	2.8~12 mm@F1.6
Angle of View (H)	95° (wide) ~29° (tele)
Zoom/Focus	Motor drive
Shutter	Auto/Manual, 1/6~1/8000 s
Min. Illumination	Colour: 0.02 Lux (F1.6, AGC ON) 0 Lux with IR
IR Range	Up to 30m (98 ft) IR range
Day/Night	IR-cut filter with auto switch (ICR)
S/N	>55 dB
WDR	Optical WDR (up to 120dB)
Video	
Max. Resolution	2592 × 1520
Video Compression	H.265,H.264,MJPEG
Frame Rate	4MP (2592×1520): Max. 20 fps; 4MP (2560×1440): Max. 25 fps 3MP (2048×1520): Max. 30 fps; 1080P (1920×1080): Max. 25 fps
Video Streaming	Triple
9:16 Corridor Mode	Supported
ROI	Supported
OSD	Up to 8 OSDs
Privacy Mask	Up to 4 areas
Smart	
Behavior Detection	Intrusion, crossing line, motion detection
Exception Detection	Audio detection
Intelligent Identification	Face detection
Statistical Analysis	People counting
Audio	
Audio Compression	G.711
Two-way audio	Supported
Storage	
Edge Storage	Micro SD, up to 128 GB
Network	
Protocols	L2TP, IPv4, IGMP, ICMP, ARP, TCP, UDP, DHCP, PPPoE, RTP, RTSP, RTCP, DNS, DDNS, NTP, FTP, UPnP, HTTP, HTTPS, SMTP, SIP,

	802.1x
Compatible Integration	ONVIF, API
Interface	
Audio I/O	Audio cable
	Input: impedance 35 k Ω ; amplitude 2 V [p-p]
	Output: impedance 600 Ω ; amplitude 2 V [p-p]
Alarm I/O	1/ 1
Network	1 RJ45 10M/100M Base-TX Ethernet
Video Output	1 BNC, impedance 75 Ω ; amplitude 1 V [p-p]
Reset Button	Supported
Power Output	DC12V Power Output With PoE
General	
Power	12 V DC, or PoE (IEEE802.3 af)
	Power consumption: Max.6.6 W (PoE :Max.7.2 W)
Dimensions (\varnothing x H)	\varnothing 148 x 111.3 mm (\varnothing 5.8" x 4.4")
Weight	0.75 kg (1.7 lb)
Working Environment	-40°C ~ +60°C (-40°F ~ 140°F), Humidity \leq 95% RH(non-condensing)
Ingress Protection	IP66
Vandal Resistant	IK10

Dimensions



Accessories

Installation mode	Accessories	Description
Ceiling mount	Mounting pedestal is included in the product package	For indoor ceiling installation